



ENCLOSING ELECTRONICS ONE BOX AT A TIME

ENCLOSURES & ASSEMBLY SERVICES

ENCLOSURES & ASSEMBLY SERVICES

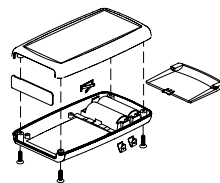
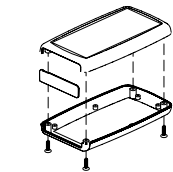
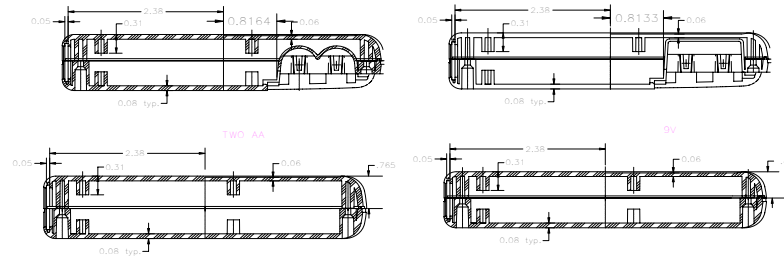
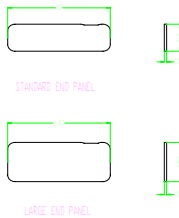
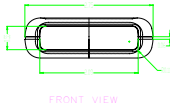
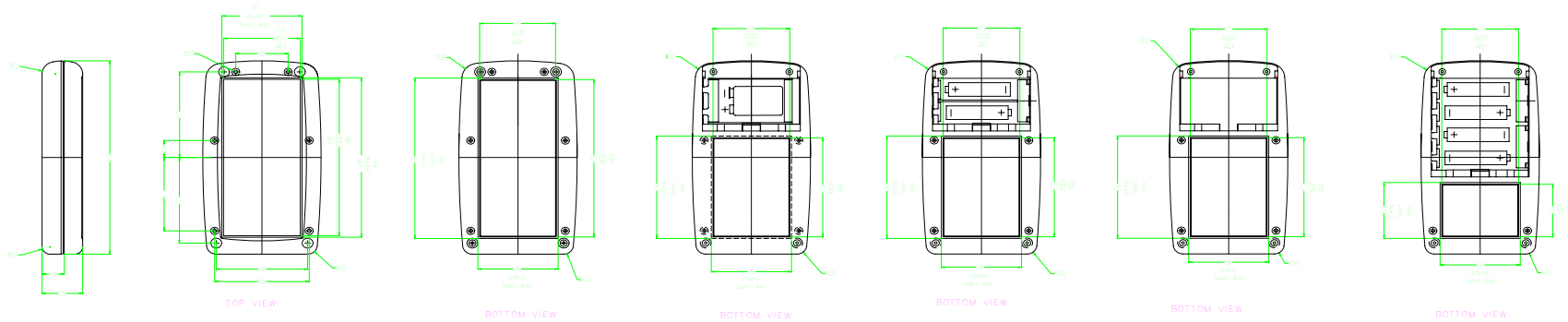
BOX ENCLOSURES, INC

28835 N. HERKY DRIVE, #114,  
LAKE BLUFF, IL 60044

TEL: 847-932-4700

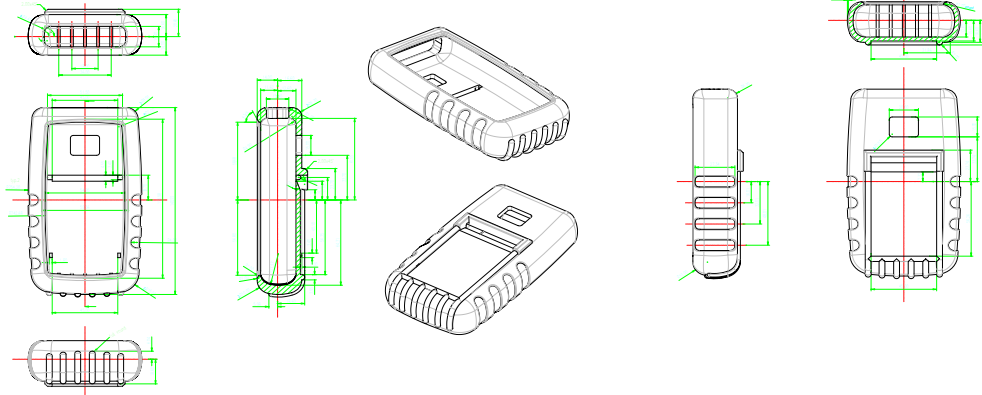
WWW.BOXENCLOSURES.COM

FAX: 847-932-4701



NO BATTERY COMPARTMENT W/ DEEP TOP

NO BATTERY COMPARTMENT W/ SHALLOW TOP



ENCLOSING ELECTRONICS ONE BOX AT A TIME

ENCLOSURES & ASSEMBLY SERVICES

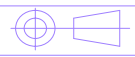
Title: 55-SERIES

Material: TOLERANCE  
all dimension in mm  
unless otherwise specified  
Finish: x ±0.20  
.x ±0.10  
.xx ±0.05  
ANGLE ±0.5°

Dwg. No.:  
Color:  
Part No.:

Revision:  
Model:  
Part No.:  
Dwn. Date  
Tan zonghaun Apr 10 04  
Chk. Date  
App. Date

THIS DRAWING IS THE PROPERTY OF AND MAY EMBODY PROPRIETARY INFORMATION OWNED BY X-Box Enclosures. IT IS PROVIDED UNDER A CONFIDENTIAL RELATIONSHIP FOR A SPECIFIC PURPOSE. THE RECIPIENT AGREES TO USE IT ONLY FOR SUCH PURPOSE AND RETURN IT TO X-Box Enclosure UPON REQUEST.



A4 Sheet of